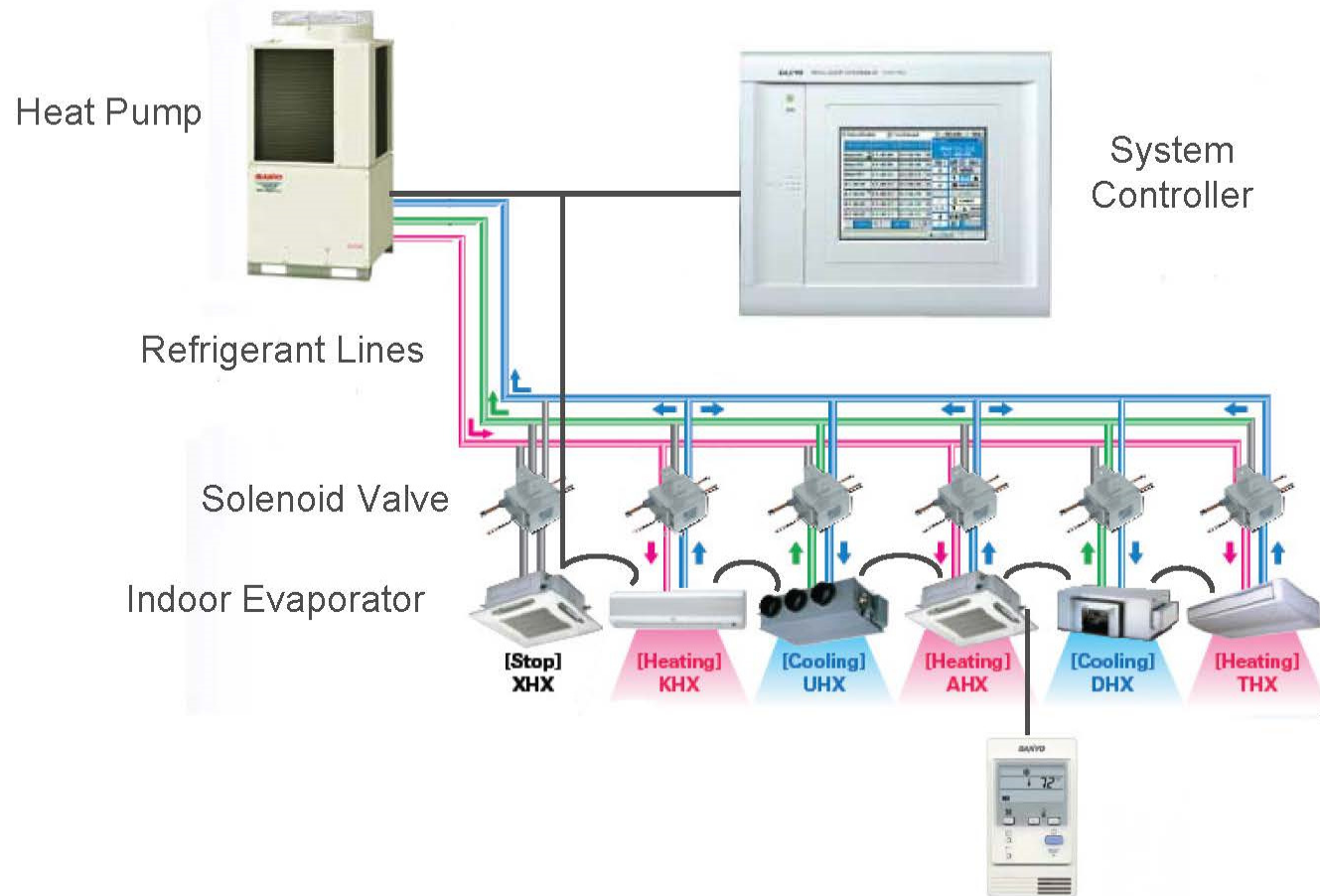
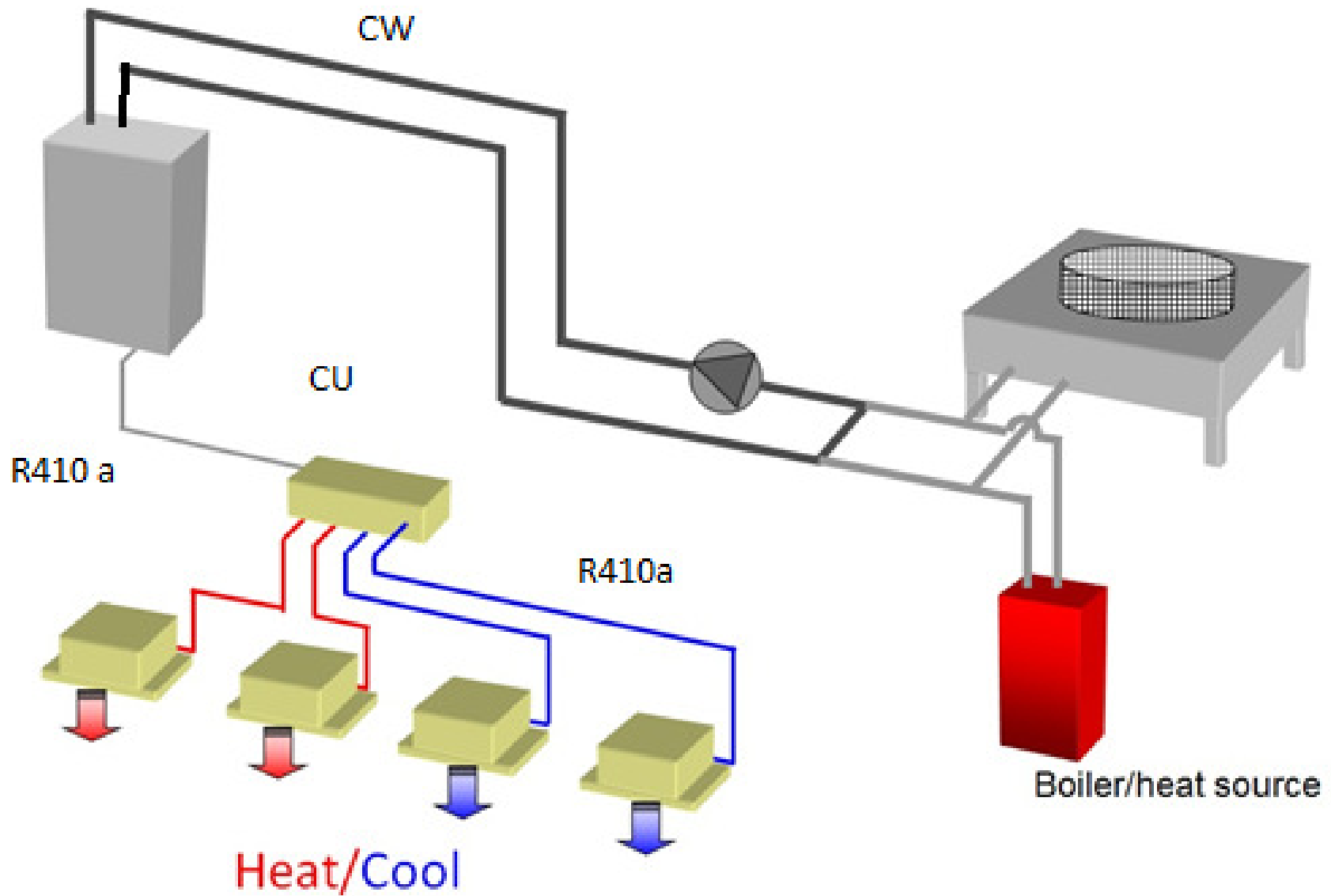


Variable Refrigerant Flow (VRF) System

System Operation



Water Cooled Heat Pump and Heat Recovery units





Vertical Stack Heat Pump Unit