

DCS1

Dewey the Document Camera Stand - Assembly Guide



Assembly Guide DCS1_2012_C

Check out our other products online at
www.copernicused.com

For assistance, please contact us:

1-800-267-8494

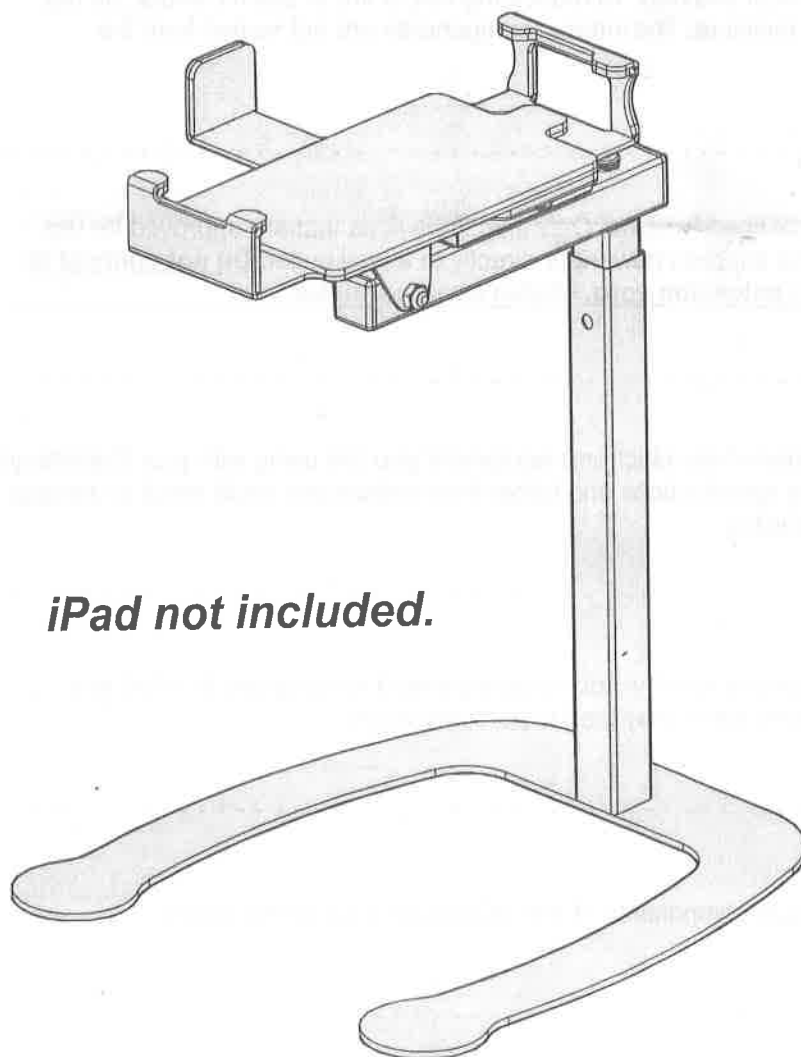
Email info@copernicused.com

Have your packing slip ready for reference

WARNING !

- This product is meant to be assembled by an adult.
- In its unassembled state, small parts present a hazard.
- To be used under direct supervision of an adult.

Don't forget to complete our online survey to receive a complimentary gift from Copernicus at:
www.i-rover.info/surveys.html



iPad not included.

***Check out some of our
other great products!***



www.copernicused.com

***Need Tech Support?
Have a Question?***



Email our Tech Support Service

***Document Camera Function
only works with iPad 2 & Newer.
iPad mini NOT Supported.***



Please Recycle



Warning! Hazard Risks!

Please read the warnings below for important safety information regarding your product. Failure to read these warnings or to follow the instructions below could result in personal injury or damage to your product that could void your warranty.



Small Parts

In its unassembled state, this product contains parts that can be hazardous to small children. This product should be assembled by an adult.



Adult Supervision

This product is to be used under the supervision of an adult.



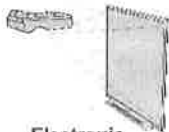
Indoor Use Only

This product is intended for indoor use only. To reduce the risk of fire or electric shock, do not expose this product to rain or moisture. The internal components are not sealed from the environment.



Powerbar Specifications

Read your powerbar's electrical specifications. Only plug in devices that are approved for use with this powerbar. Connect the supplied power bar directly to a wall outlet. **Do not connect to another power bar or use an extension cord.** Unplug when not in use.



Electronic Equipment

Read the electrical specifications of any electronic equipment you are using with your Copernicus products. Failure to read these specifications and follow their instructions could result in damage to your equipment or personal injury.



Cable Trip Hazard

Ensure that any cables extending across the floor to your product are properly bundled and marked to avoid tripping or falling which may lead to personal injury.



Electrical Shock

Do not install or use the electrical components of this unit during a lightning storm.



Climb Hazard

Do not climb on, hang from or suspend objects from any components of your product unless otherwise specified.



Tips for Assembly



2 Person

Watch for These Helpful Symbols

- This symbol denotes a 2 Person Task. For safety, please ensure that there are two people working on steps displaying this symbol



- Watch for this symbol throughout the Assembly Instructions. Wherever you see it, pay close attention. The symbol denotes a step needing extra attention to ensure it is done correctly.



- The Star symbol highlights an advisory note

Before You Begin



- Layout and identify all of the included parts
- The hardware has been packed by step
- Read the assembly instructions over once to familiarize yourself with them
- Please note that in its unassembled state, this product contains parts that can be a hazard to small children; it should be assembled by an adult.

hmmm



As You Assemble the Unit

- Follow the steps in sequence
- Before beginning each step, find the part(s) that you need for that step
- Pay attention to the labeling on the parts, they are there to help direct you at certain stages
- The title of each step states what you will be doing. Review the text and the pictures as you build the unit.



Validate Your Warranty On-Line

To validate your warranty submit the ON-LINE form at www.copernicused.com

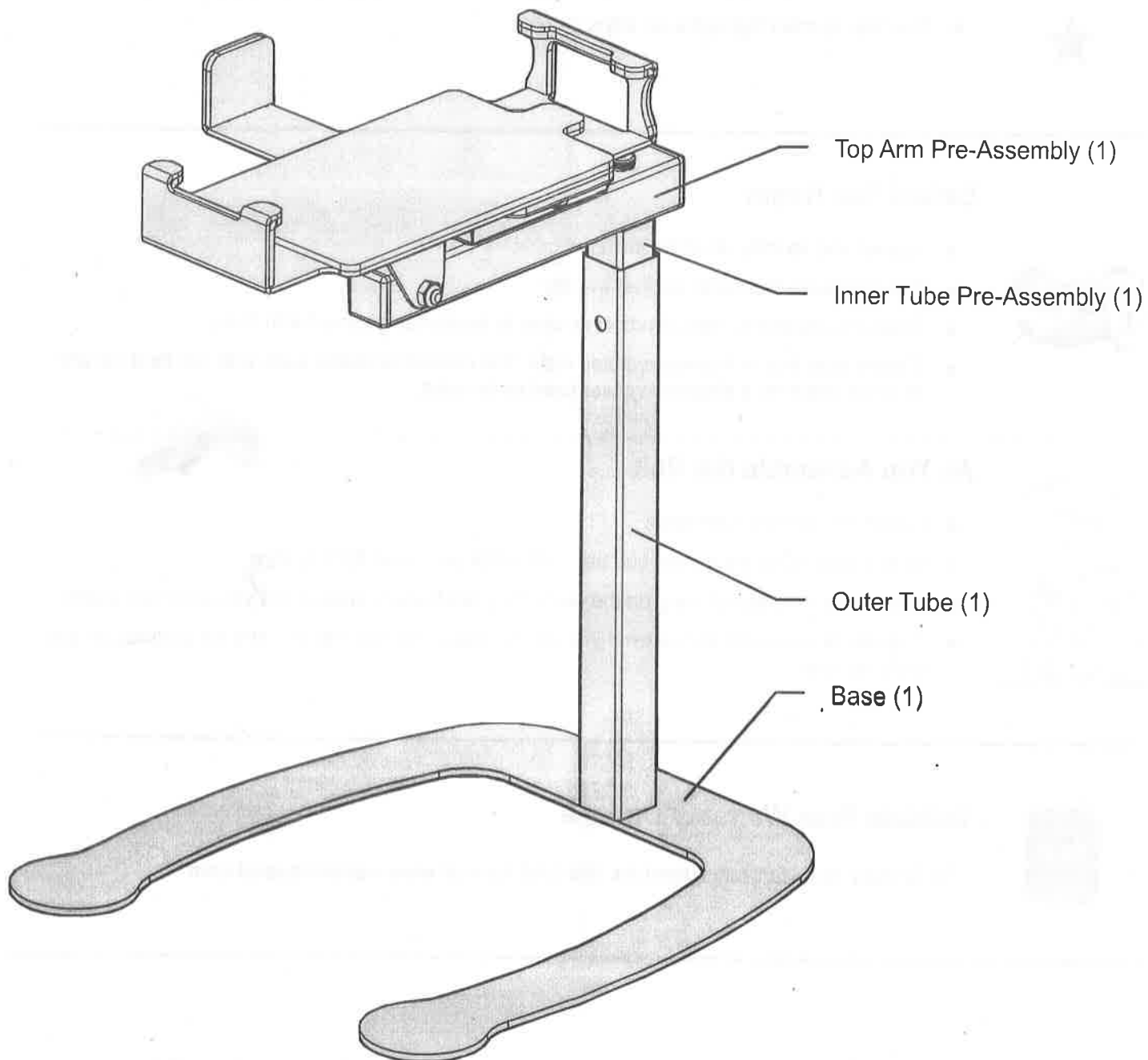
“The beautiful thing about learning is that no one can take it away from you.” - B. B. King



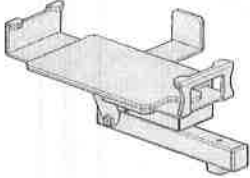





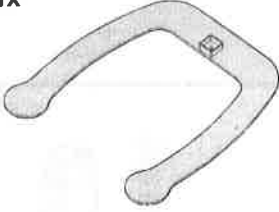
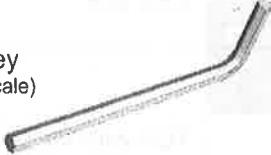




WARNING

Please note that in its unassembled state, this product contains parts that can be hazardous to small children. This product should be assembled by an adult.






Before beginning, you should have:

Contents - Box 1		Hardware Actual Size
<p>Top Arm Pre-Assembly 1x</p> 	<p>In Box 1</p>	<p>(A) M6 x 15mm 1x</p> 
<p>Outer Tube 1x</p> 		<p>(B) M6 x 45mm 1x</p> 
<p>Inner Tube Pre-Assembly 1x</p> 		<p>(C) M6 Lock Washer 1x</p> 
<p>Base 1x</p> 		<p>Allen Key (Not to Scale) 1x</p> 
<p>Elastic Straps 2x</p> 		<p>Bag of extra hardware 1x</p>  <p>1 Extra of Each</p>

**Additional Items Needed
Not Included**

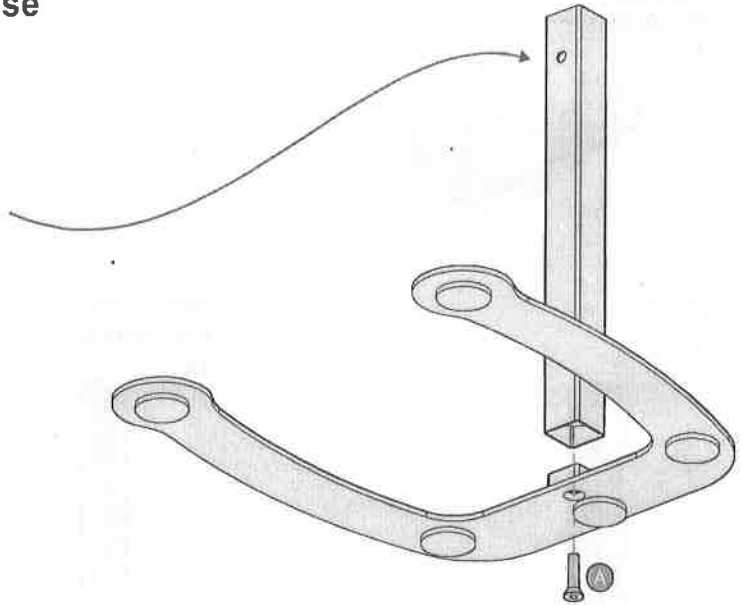
<p>VGA Cable 1x</p> 	<p>Apple VGA Adapter 1x</p> 	<p>iPad 2 or Newer 1x</p> 
---	---	---




1	Actual Size: A M6 x 15mm 1x 
	You will need: (Not to Scale) Outer Tube 1x  Base 1x 

Assemble the Outer Tube to the Base

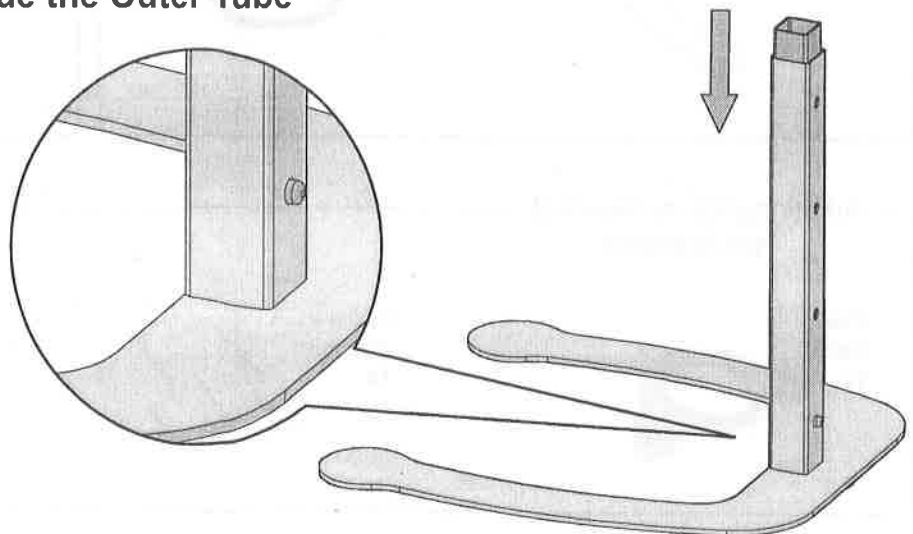
! Make sure the stop hole is facing outwards and is placed on top.



2	Actual Size:
	You will need: (Not to Scale) Inner Tube Pre-Assembly 1x 

Place the Inner Tube inside the Outer Tube

! Pay close attention to the orientation of the Valco Double-End Snap Buttons.



3

Actual Size:

(B) M6 x 45mm
1x

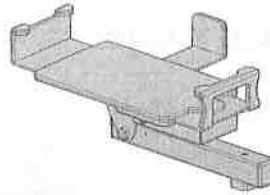


(C) M6 Lock Washer
1x

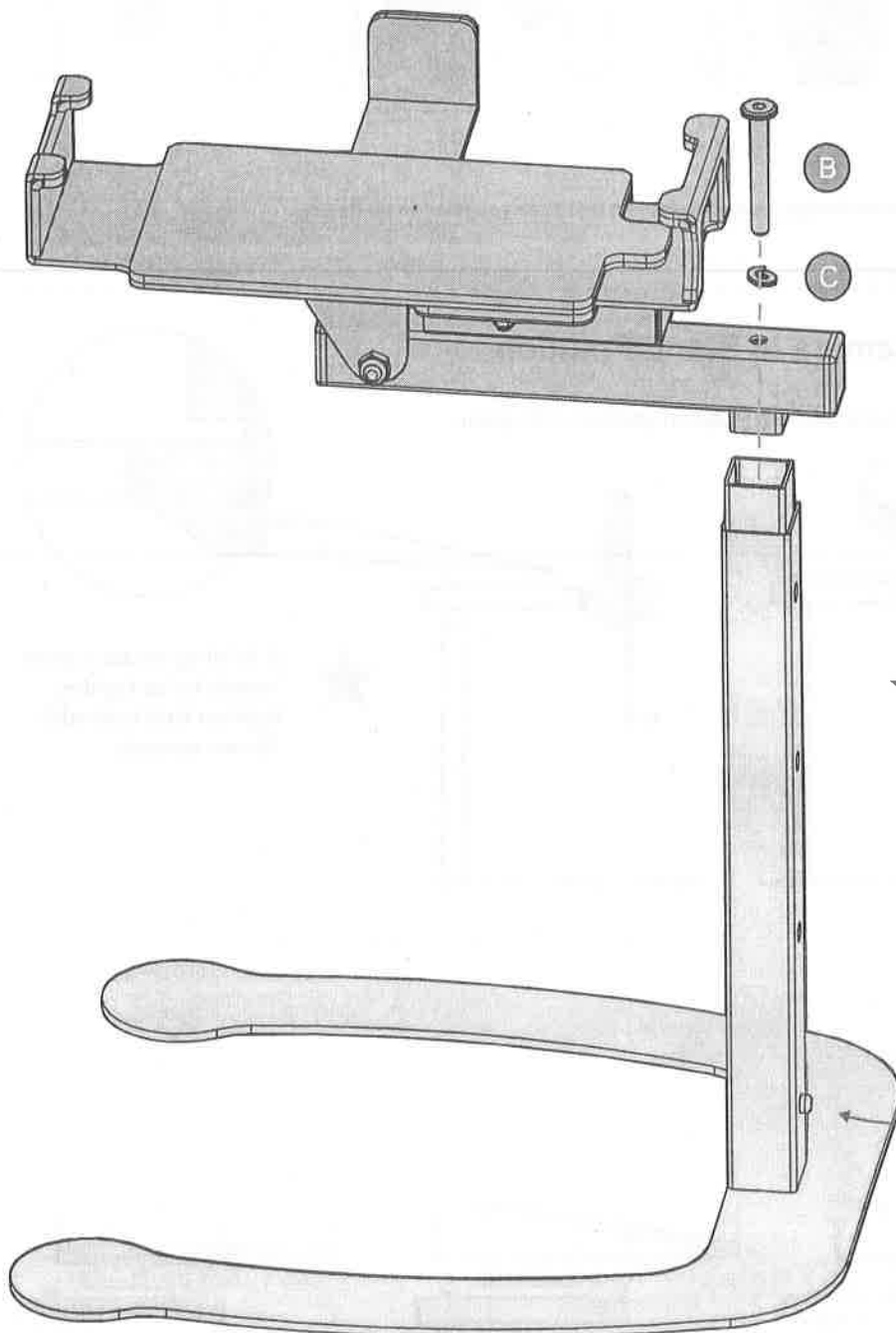


You will need: (Not to Scale)

Top Arm
Pre-Assembly
1x



Assemble the Top Arm



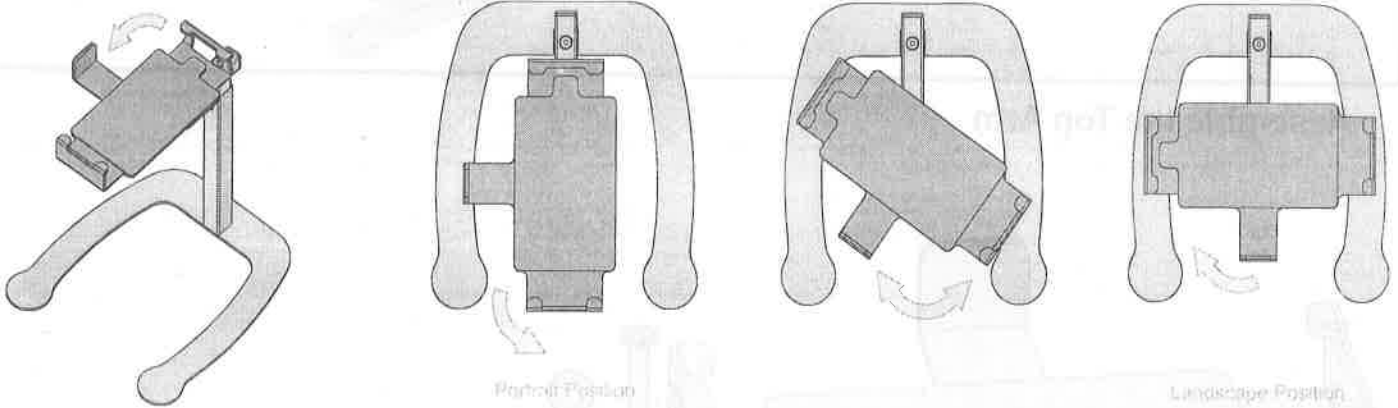
To easily assemble the Top Arm, adjust the height to the lowest position then assemble the pieces together.





To Change Projected Image

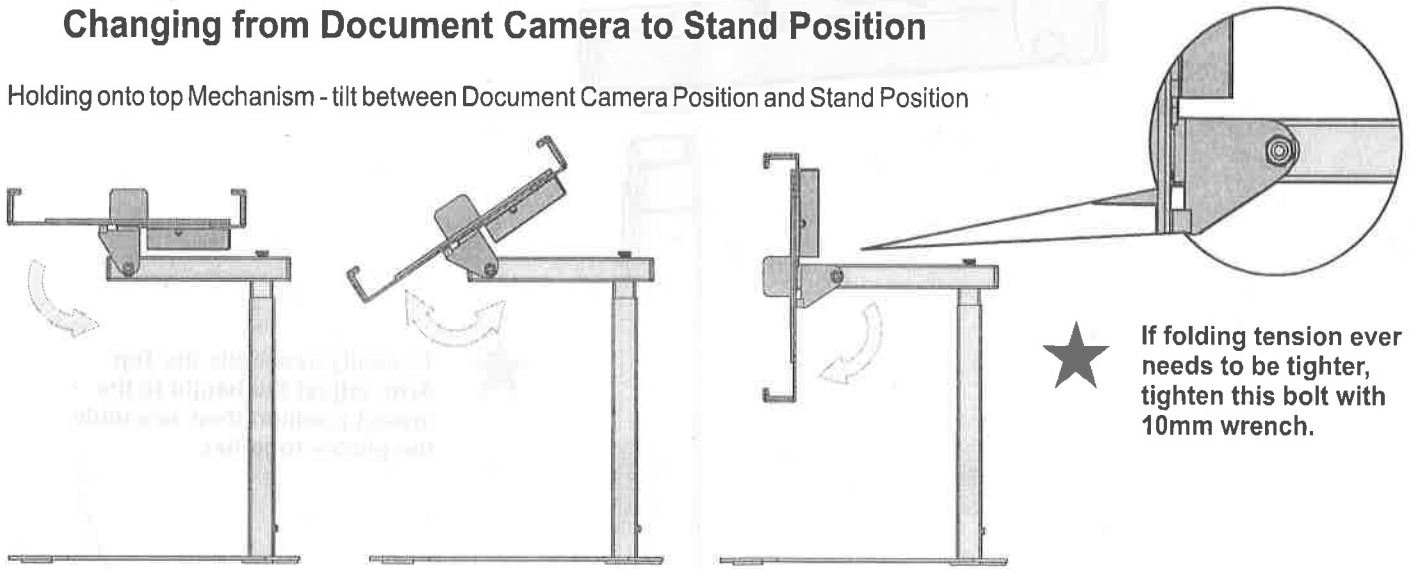
Holding onto top mechanism - turn iPad 90 degrees



NOTE: Sometimes when you rotate the iPad your projected image does not rotate, in that case you need to tilt down the top mechanism to allow the iPad to adjust

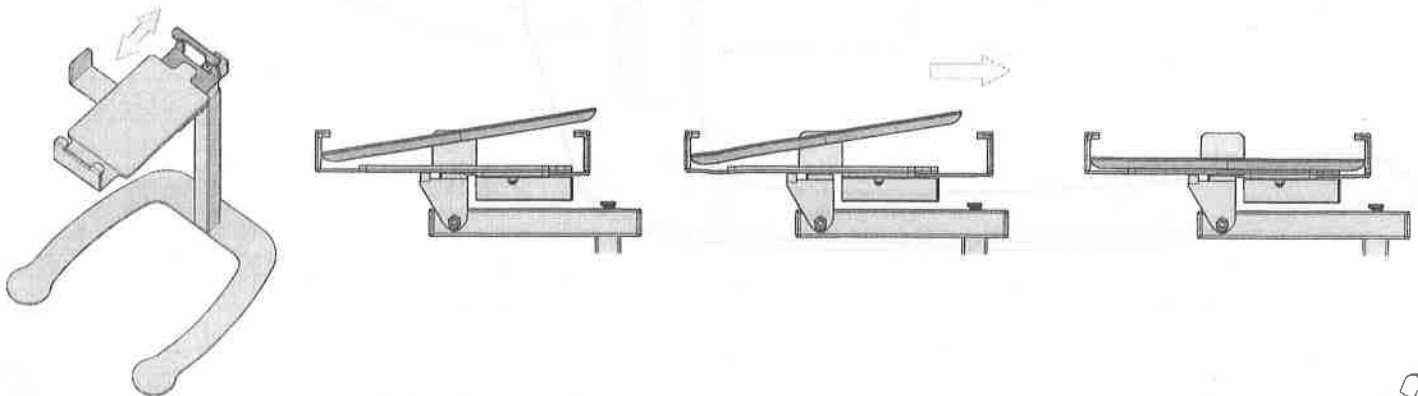
Changing from Document Camera to Stand Position

Holding onto top Mechanism - tilt between Document Camera Position and Stand Position



Inserting iPad

The green piece slides in and out to secure iPad



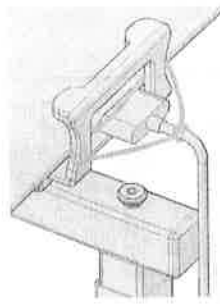


Dewey the Document Camera Stand - Tips for Use

Connecting to Your Projector

For iPad 2 or newer only:

Use Apple VGA Adapter and a VGA cord (with two VGA male outlets) to connect projector to the iPad.

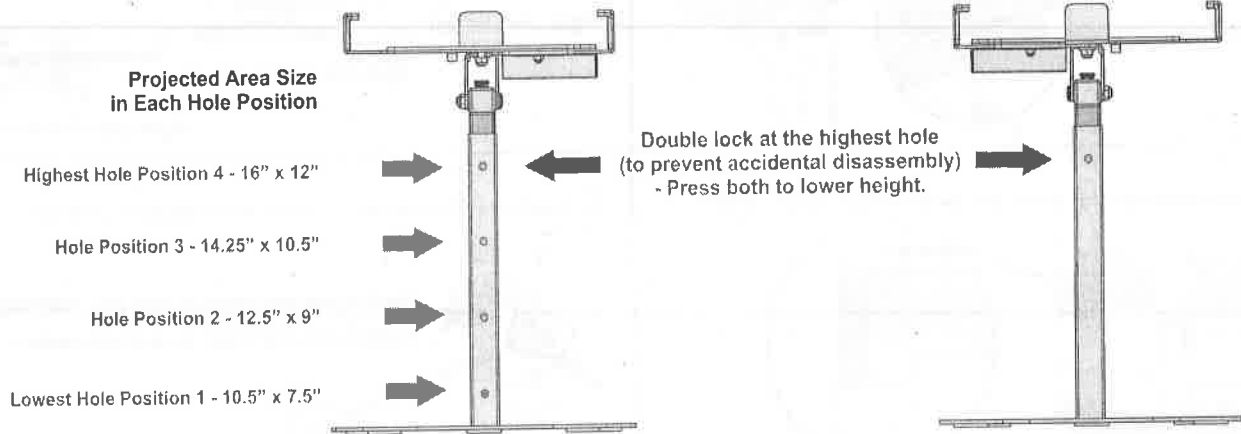


To hold the VGA cable in place use provided elastic straps
- Tie the elastic around the adapter cable and then loop over the edge of the top mechanism.

Supported Paper Size

The Document Camera Stand covers surfaces from 10.5" x 7.5" up to 16" x 12" at different hole positions.

NOTE: The provided template is for positioning 8.5" x 11" paper.



Suggested Apps

iPad 2 and 3:



Board Cam This app allows you to write on top of your image that you are projecting.



Educreations This app turns your iPad into a recordable whiteboard. It allows you to create a video tutorial. It has voice recording, realistic digital ink, photo imports, and simple sharing features.



Nearpod This app enables teachers to use their iPads to manage content on student's iPads.
Student & Teacher Version Teachers version manages students content and flow of lecture.
Students version receives content, participate in activities and submit responses.

NOTE: If your iPad's screen turns off while in use, adjust sleep mode time by going to **Setting>General>Auto-Lock**. And when you are not using your device put it into sleep mode.

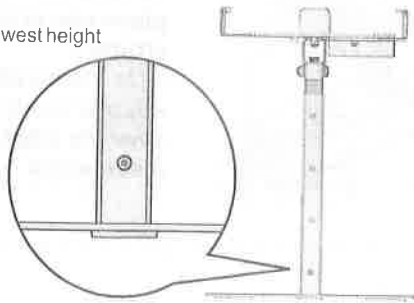




Dewey the Document Camera Stand - Tips for Use

Basic Usage Tips

1. Position stand in lowest height

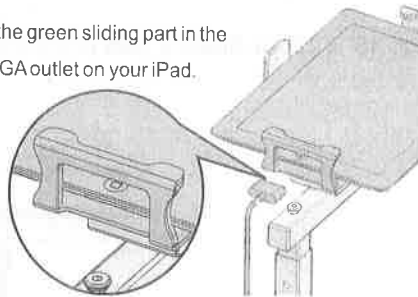


2. Place your iPad into the stand.
(See point 3 & 4)

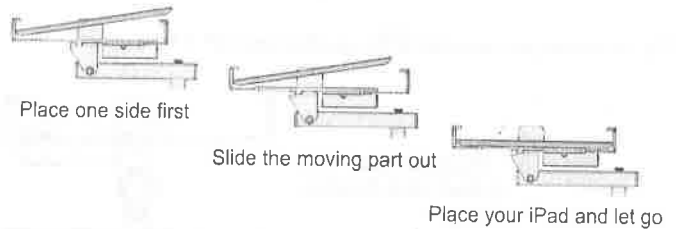
★ If your case has a flip cover, make sure it's open to the side.



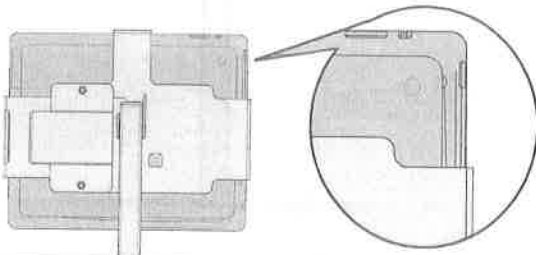
3. Match the opening in the green sliding part in the top mechanism with the VGA outlet on your iPad.



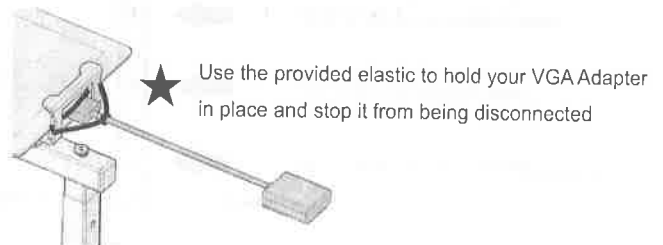
4. Place your iPad into the top mechanism



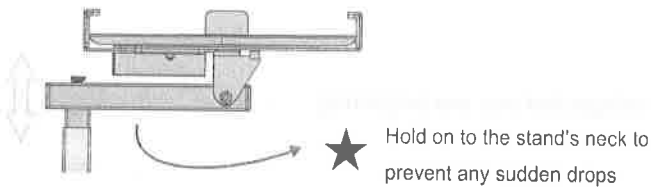
5. For document camera function use the rear camera of your iPad



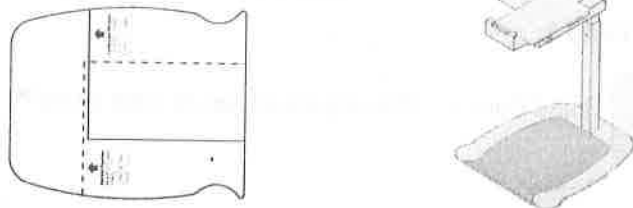
6. Use Apple VGA Adapter to connect your iPad to your projector



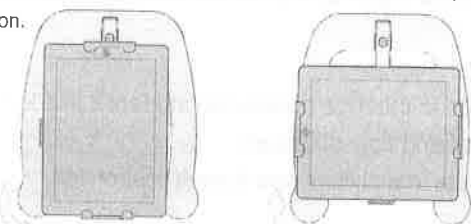
7. Launch camera app and adjust desired height by sliding the Document Cameras' neck up/down.



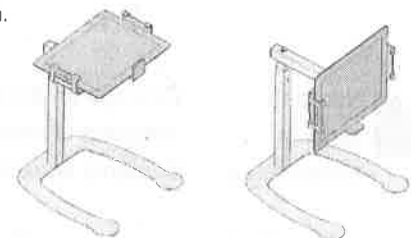
8. The Provided template helps locate your 8.5" x 11" paper without looking through the camera. (Optional)



9. By rotating the top mechanism 90 degrees, change between landscape and portrait projection.



10. By tilting down the top mechanism, switch between document camera and stand position.



DCS1

Dewey the Document Camera Stand - Assembly Guide



Assembly Guide DCS1_2012_C

Check out our other products online at
www.copernicused.com

For assistance, please contact us:

1-800-267-8494

Email info@copernicused.com

Have your packing slip ready for reference

Dear Educator,

Thank you for purchasing one of our products.

I hope the assembly of your **Dewey - the Document Camera Stand** went well.

If you have any questions, or concerns, or ideas for how we can improve, please call us at 1-800-267-8494, where someone will be happy to help.

Enjoy using your new product, and happy teaching,

Jim Phillips
President

Quality schools are the result of quality teachers going above and beyond the call of duty.

VICKI CARUANA

In everyone's life at some time our inner fire goes out. It is then burst into flame by an encounter with another human being. We should all be thankful for those people who rekindle the inner spirit.

ALBERT SCHWEITZER

My idea of education is to unsettle the minds of the young and inflame their intellects.

ROBERT MAYNARD HUTCHINS

Nothing has a better effect upon children than praise.

SIR PHILLIP SIDNEY



